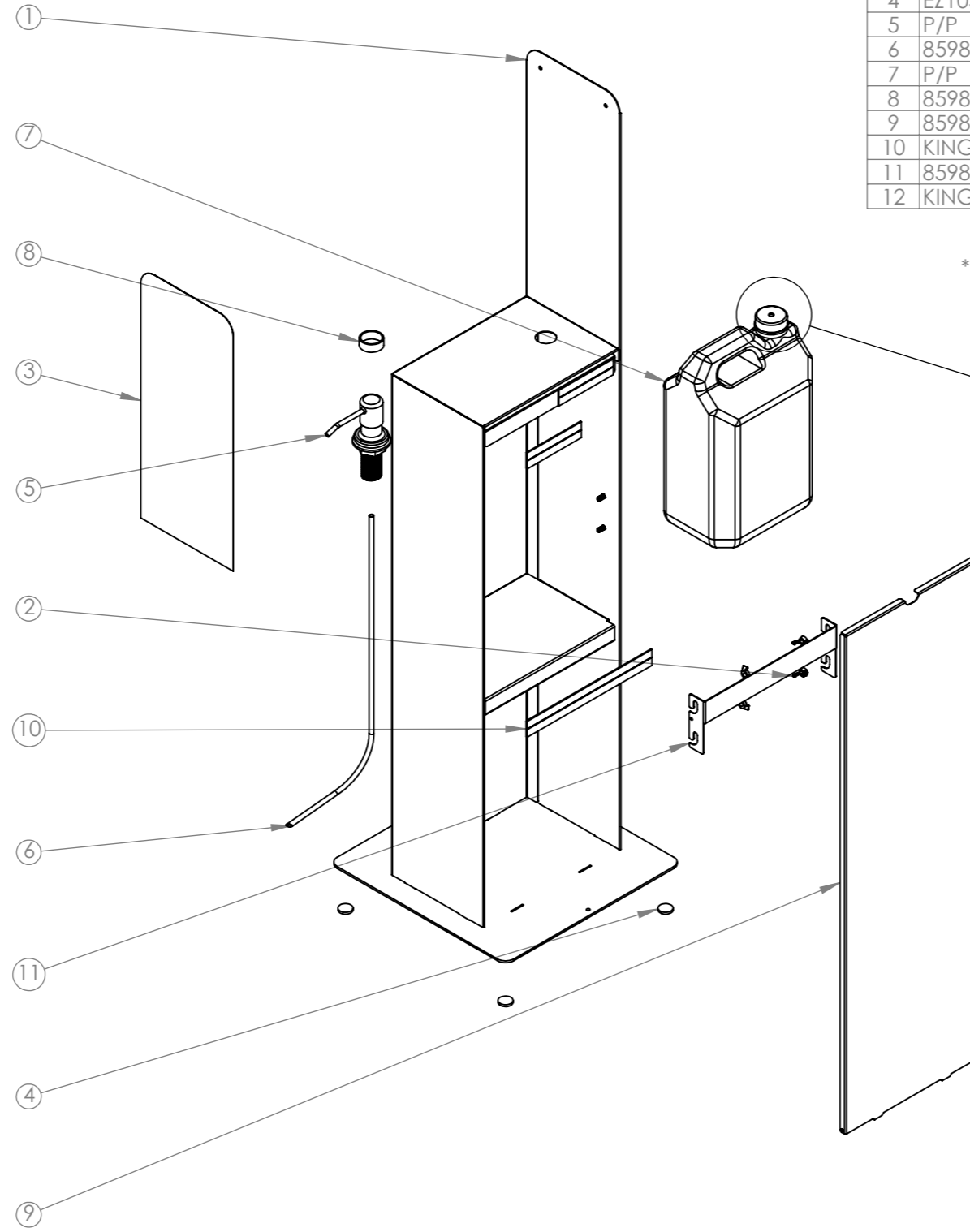


NOTES:

ITEM	DWG NO.	DESCRIPTION	QTY
1	8598-01-101	BODY WELDMENT	1
2	FIXING20	M6 WING NUT, BZP	4
3	8598-01-06	HEADER GRAPHIC	1
4	EZ105 - CLEAR	19.7mm x 3mm DIA RUBBER BUMPON, CLEAR	4
5	P/P	SANITISER PUMP	1
6	8598-01-10	LONG TUBING - RS COMPONENTS: 418-9860	1
7	P/P	5L JERRY CAN. 186x137x285mm	1
8	8598-01-12	RESTRICTOR COLLAR	1
9	8598-01-05	SIDE	1
10	KINGDOM REF: MAG TAPE	25.4mm ADHESIVE MAGNETIC TAPE (LENGTH: 230mm)	1
11	8598-01-13	JERRY STRAP	1
12	KINGDOM REF: MAG TAPE	25.4mm ADHESIVE MAGNETIC TAPE (LENGTH: 100mm)	2



** MAG TAPE TO BE REPLACED WITH NEODYMIUM MAGNETS IF REQUIRED - TEST!! **

Ø 7 THRU ALL

** BOTTLE CAP TO BE DRILLED ACCEPT TUBING **

DETAIL E
SCALE 1 : 4



1 TUXFORD ROAD
LEICESTER
LE4 9TZ

t. 0116 276 4987
e. sales@rosscastors.co.uk

DESCRIPTION:
5L SLIMLINE SANITISER STATION - EXPLODE

MATERIAL: N/A
SURFACE FINISH: N/A
COLOUR: N/A
WEIGHT: 16515.91g (APPROX)

CLIENT:
SDI

PROJECT TITLE:
5L SLIMLINE SANITISER STATION

DWG NO.
8598-01-GA - BOM

REVISION:
F

DO NOT SCALE - IF IN DOUBT ASK!



UNLESS OTHERWISE STATED:
ALL DIMENSIONS ARE IN MILLIMETERS (mm)
LINEAR TOLERANCE ±0.5 ANGULAR TOLERANCE ±1.0°

DESIGNER:
ian.beaumont

CLIENT REF:

DATE:
30 April 2020

SCALE:
1:8

SHEET SIZE:
A3

SHEET:
2/17